

# HARDWOOD FLOORING COLLECTION

**Parquet** hardwood floors



Nature walks with you

  
**WICANDERS®**



## Parquet FSC – A commitment to nature's respect

*FSC ("Forest Stewardship Council") is an independent, non-governmental, not-for-profit organization established to promote the responsible management of the world's forests.*

*It is a certification system that provides internationally recognized standard-setting, trademark assurance and accreditation services to companies, organizations, and communities interested in responsible forestry.*

*The FSC label provides a credible link between responsible production and consumption of forest products, enabling consumers and businesses to make purchasing decisions that benefit people and the environment as well as providing ongoing business value.*

For more information about FSC: [www.fsc.org](http://www.fsc.org)



The FSC forest certification assures that the wood used in a product derives from an environmental appropriate, socially just, economical viable production process and in compliance with all applicable laws.

**Wicanders**, together with all the involved suppliers, continuously seeks solutions that match its own high standards, choosing sustainable and top quality products, leveraged through state of the art technology.

Choosing **Parquet** hardwood floors you feel an active part in the environment protection, sharing **Wicanders'** constant commitment to nature's respect.

# Think green, **choose** Wicanders

**Wicanders** products underwent a detailed eco-efficiency study in 2007, carried out by the highly regarded company, BASF.

The study, based on a comparative analysis with several other types of flooring, illustrated the excellent environmental performance of **Wicanders** products and its manufacturing process. Besides the smaller amounts of energy and raw materials required for the manufacturing process, these products actively contribute to reducing global warming, not only through their low emissions, but also due to cork's natural property of retaining CO<sub>2</sub>.

This study also highlighted irrefutable advantages for the consumer. Cork's natural thermal insulation characteristics ensure that **Wicanders** products represent significant savings for the consumer in acclimatisation energy costs. Values that re-assure the excellence of **Wicanders** flooring and their impact on protecting the planet and the world economy.

## **Your future in good hands!**

**Wicanders** is a truly sustainable brand! The starting point is a raw material that is extracted cyclically from the cork oak trees without ever damaging them. This raw material is then transformed into products of high added value while biodiversity, economic and social sustainability are simultaneously fostered.

**Wicanders** also looks out for your future! Its products retain CO<sub>2</sub>, which would otherwise contribute to global warming. It is estimated that the Portuguese cork oak forest – "montado" – is responsible for retaining 5% of the country's annual CO<sub>2</sub> emission, representing 4.8 million tons per year.





# **Excellence** in flooring



Amorim Revestimentos, a company of the Portuguese Amorim Group, with over 130 years of experience in selected cork products, has developed unique flooring and wall covering solutions throughout its history. Amorim Revestimentos sells its products in more than 51 countries and is known throughout the world as a pioneer in creating top-quality, ground-breaking solutions.

Reflecting a highly sustainable development, the Amorim Group developed a revolutionary process that is adapted to nature's rhythms. The first extraction of cork from the cork oak tree occurs only twenty-five years after planting, following which it is harvested in nine-year cycles, without ever damaging the tree in any way. This method allows the cork oak forest – "montado" – to fulfil its role of fixing CO<sub>2</sub>, thus actively contributing to reduce global warming.

The regular extraction of cork is also a decisive contributor to sustainability: environmental (conserving biodiversity and preventing desertification), social (population settlement and jobs creation) and economic. The company's in-depth knowledge and respect for nature, its continuous investment in technological innovation and highly-specialised staff, have guaranteed its leading position in the international field.

**Wicanders** has strengthened its existing cork products (**Corkcomfort**) and wood-on-cork products (**Woodcomfort**), by investing in new product lines such as vinyl (**Vinylcomfort**), linoleum (**Linocomfort**), and parquet (**Parquet**), towards a new phase marked by the evolution from a cork manufacturer to a flooring solutions company. Cutting-edge technology, know-how, creativity and audacity are merged into an avant-garde approach inspired on nature's values.





## Parquet hardwood floors - Born from nature

From luxuriant and exotic forests, nature offers one of the most precious materials to design, with which we've created a unique collection of wood floorings. Throughout each stage of the manufacturing process, from selection to finishing, **Wicanders** creates the most advanced flooring solutions in harmony with nature.

Pursuing strict quality criteria and ecological specifications, **Wicanders** offers a range of wood floor collections with different and customised solutions suitable for a wide variety of ambiances.

In order to guarantee top-quality products, **Wicanders** works with certified factories on various continents, adopting a sourcing strategy that turns possible the use of specific technologies, suited to the distinct characteristics of each individual wood species. This strategy enables us to offer unique products, while contributing to the economic development of problematic regions. This process is monitored by an Amorim committee of experts who ensure compliance with **Wicanders** parameters.

# Full of **emotions**

Developed by virtue of systematic studies and analyses of aesthetic trends and contemporary lifestyle needs, **Wicanders Parquet** hardwood offers five collections that meet a wide variety of visuals and practical requirements. Surfaces that reinforce natural textures and colourings, reinterpreted into different styles and expressions, creating an experience full of positive emotions.

## A **natural** way of living





# Classics Collection



### **NATURAL BEAUTY – TIMELESS COMFORT**

Composed of a wide range of species, the Classics collection aims to preserve the natural character of wood through a series of timeless visual effects with a varnished finish.

Available in two formats: single plank or three strips, the Classics Collection offers a high-quality performance structure. Consisting of three layers in a wide variety of visuals, this collection was developed for classic or contemporary environments, and above all, elegant and stylish looks.

A rich color palette that combines stunning original visuals with a modern feel. This allows you to choose your own style with nature's embrace.



The image is a composite graphic. The top right portion shows a close-up of a woman's face with dark hair and bright red lipstick. The bottom right portion shows two fresh bamboo stalks. The left side is divided into two vertical panels: the top one is a light brown bamboo wood texture, and the bottom one is a green bamboo wood texture with a repeating floral pattern. A semi-transparent white banner with a blue border runs horizontally across the middle, containing the text 'Bamboo Collection'.

# Bamboo Collection



## EXOTIC PARADISES – EXITING MOMENTS

With this collection of bamboo floorings, **Wicanders** presents a revolutionary combination of sustainability and design.

Unlike wood, which takes about 50 to 60 years to mature, this plant from southeast China is characterized for its fast growth (3-4 years), and no need for planting. The Bamboo Collection is also impressive for its extraordinary versatility and strength. With a high-performance three-layer composition, this Eastern-inspired **Parquet** enhances the qualities of wood floors, with obvious added benefits: high-density structure, making it rigid and stable; compatibility with underfloor heating systems; low formaldehyde emissions and greater variety of sizes and uses.

Thanks to innovative cutting techniques, the consequent large diversity of patterns and combinations of textures, suggests an attractive range of possibilities for designing eye-catching home and commercial spaces.

The full Bamboo Collection is available with FSC certification, granting that these products are from well-managed forests, controlled sources and recycled wood or fibre.





# Prestige Collection





## DISTINCTIVE FEELINGS – THE CHARM OF YEARS GONE BY

The Prestige Collection suggests a reinterpretation of the floors of old manor houses, using extra-large three-layer boards. Robust and durable, this collection is inspired in the elegance and charm of the past, reliving the tradition of European stately homes with a classic look.

Ideal for restoring old buildings, this collection has two different dimensions allowing the creation of distinct visual effects: Manor House with 1830x189x15mm, for a classic robust look; and Castle with 2200x220x15mm for majestic vintage environments. This collection is also available in 2200x260x22mm with Royal's premium selection with a thicker wood top layer.

With these **Parquet** visuals you can create atmospheres with an aristocratic charm.

The Prestige Collection is fully available with 100% FSC certification, assuring that these products are from well-managed forests, assuring **Wicanders' Parquet** compliance with the highest social and environmental standards on the market.





# Style Collection





### PURE DESIGN – UNIQUE SENSATIONS

Exploring styles and graphic languages, the Style Collection suggests a number of surprising effects grouped into three sub-collections which set the latest trends in interior design. Ranging from contemporary to traditional and from rustic to urban style, Kentucky, Metropolitan and Boutique selections mingle attractive combinations of natural colours and patterns in sturdy three-layer boards.

The Kentucky selection, available in different finishes, with the aged hint of brushing, hand scraping or smoking, is inspired in the vast forests of America and the traditional character of the dark shades of oak. Recreating the appearance of rare woods such as American walnut, African Wengé, Teak and Iroko, this flooring provides unforgettable decorative options.

The markedly sophisticated Metropolitan selection grants a smooth metallic shine, producing cosmopolitan atmospheres combined with steel, glass or metal elements.

The Boutique selection defines expressive contrasts and bold optical interplays, and is the trendiest in **Parquet** hardwood collection. Consisting of narrower strips of Oak (natural or smoked), Maple or Merbau, this is what we suggest for vibrant spaces where intense feelings accompany urban rhythms.





# Module Collection



### VIBRANT PATTERNS - EXCLUSIVE COMBINATIONS

The Module Collection, available in various types of wood, offers a wide range of smaller formats designed to create all kinds of combinations and various looks with glosses of mat and semi-mat surfaces.

Unlike the other **Parquet** hardwood collections, it is based on a new two-layer technology. It is a highly innovative solution with tongue and groove installation, providing the two-layer floors with rigidity and high-density architecture performance.

Combining strength with design diversity this is the option for a unique environment, keeping your personal needs and tastes.





**Parquet** brings nature home!



## THE ESSENCE OF WELLBEING

Mother Nature offers us perfection in the form of precious woods, which **Wicanders** selects and transforms into exclusive floorings so that your everyday surroundings give you the calm and comfort of the purest emotions.

## INSPIRED BY NATURE

Composed of 100% natural materials, **Wicanders Parquet**'s mission is to preserve the resources that nature offers us. Consequently, our philosophy is one of deep respect for nature.

## TECHNOLOGY FOR LIFE

Composed of two or three-layer top quality technology structure, based mostly of solid wood, **Wicanders Parquet** is very resistant and durable due to breakthrough manufacturing solutions that define this innovative concept. Its sturdiness is immediately felt, accentuating the charisma and comfort of your space for years to come.

## DESIGNING EMOTIONS

Whether in new or renovated spaces, the flooring choice is a fundamental aspect of any architectural project. The **Wicanders Parquet** collections offer you a wide range of woods, sizes and finishes customised to your style. Through high-tech varnishing process, these collections emphasise and enrich the natural texture of wood. From darker to lighter tones, from classic to more adventurous textures, the five available collections guarantee a floor fitting your own style.

## EASY TO INSTALL

The innovative **WICLOC** glueless locking system makes your installation easy and almost instantaneous. All lines, except for the Royal selection and the Module Collection, were designed for this floating type of use with no need for glues, unpleasant smells or complex assembly. Your free time also benefits from the care provided particularly by the varnish finished products. In order to preserve the durability, cleanliness and beauty of your **Wicanders Parquet** floor, all you need to do is wipe it regularly with a dry cloth, alternating with a damp cloth, and a special cleaning product for wood floors, which cleans and nourishes the surface at the same time.

## TIPS FOR BEAUTIFUL AND LONG-LIVING WICANDERS PARQUET HARDWOOD FLOORS

Place a good rug at the entrance. Immediately remove any type of sand or gravel. Use protective pads under furniture legs. Avoid walking with sharp heels. Immediately dry any water splashes. Protect from sun and intensive UV light.



# Parquet hardwood flooring collection

## Classics Collection Plank



Walnut Nature Plank



Merbau Nature Plank



Oak Nature Plank



Oak Country Nordic Plank



Iroko Nature Plank



Jatoba Nature Plank



Ash Country Nordic Plank

## Classics Collection 3 Strip



Walnut Nature 3 Strip



Merbau Nature 3 Strip



Oak Nature 3 Strip



Ash Country Nordic 3 Strip



Hevea Nature 3 Strip



Oak Country 3 Strip



Beech Nature steamed 3 Strip

# Parquet hardwood flooring collection

## Bamboo Collection



Horizontal Natural  
Bamboo



Horizontal Caramel  
Bamboo



Strand Woven Natural  
Bamboo



Strand Woven Caramel  
Bamboo



Strand Woven Tiger  
Strip Bamboo



## Prestige Collection



Manor House Oak  
Rustic Plank Natural  
Oiled



Manor House Oak  
Rustic Plank White  
Oiled



Manor House Oak  
Nature Plank Natural  
Oiled



Manor House Oak  
Nature Plank White  
Oiled



Manor House Ash Plank  
White Oiled



Castle Oak Plank  
Natural Oiled



Castle Oak Plank White  
Oiled



Castle Ash Plank White  
Oiled



Royal Oak Plank  
Unfinished



Royal Oak Plank  
Natural Oiled



Royal Ash Plank White  
Oiled

Wood is a natural material. Variation in colour shade and texture is a natural and attractive characteristic. The colour in the photos may not be exactly the same as the original colours due to differences in printing.

# Parquet hardwood flooring collection

## Style Collection



Kentucky Denver Plank



Kentucky Kansas Plank



Kentucky Oklahoma Plank



Kentucky Dallas Plank



Kentucky Houston Plank



Kentucky Memphis Plank



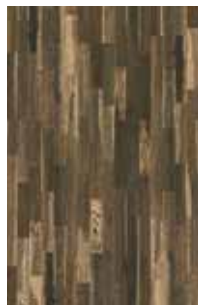
Kentucky Atlanta Plank



Kentucky New Orleans Plank



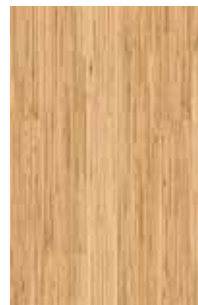
Kentucky Nashville Plank



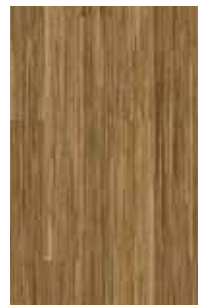
Kentucky Louisville Plank



Boutique Oak Fine-Line



Boutique Maple Fine-Line



Boutique Oak Smoked Fine-Line



Boutique Merbau Fine-Line



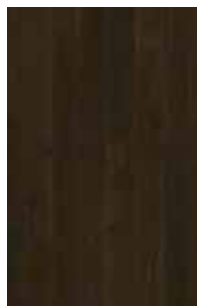
Metropolitan Berlin Plank



Metropolitan New York Plank



Metropolitan Paris Plank



Metropolitan Tokyo Plank



Metropolitan Hong Kong Plank



Metropolitan Sydney Plank

# Parquet hardwood flooring collection

## Module Collection



Oak Nature Plank  
1000x90mm  
490x70/750x90mm



Doussie Nature Plank  
1000x90mm  
490x70/750x90mm



Iroko Nature Plank  
490x70mm



Beech Nature Plank  
490x70mm



Maple Nature Plank  
490x70mm



Merbau Nature Plank  
750x90mm  
490x70/1000x90mm



Doussie Rustic wenge stain Plank  
1000x90mm  
750x90mm



Oak Rustic smoke stain Plank  
1000x90mm  
750x90mm



Oak Rustic cognac stain Plank  
1000x90mm  
750x90mm

# Parquet hardwood floors product selector

## 3 PLY

	Matt Varnish		Semi-Matt Varnish		Natural Oiled			White Oiled			Unfinished
Thickness (mm)	14,5/3,5	14,5/3,5	15/4	15/4	15/4	15/4	22/6	15/4	15/4	22/6	22/6
Dimension (mm)	1820x145	1820x190	1900x189	1850x127	1830x189	2200x220	2200x260	1830x189	2200x220	2200x260	2200x260
Bevelled	N/A	N/A	N/A	N/A	2 sides	2 sides	2 sides	2 sides	2 sides	2 sides	2 sides
Installation	WICLOC	WICLOC	WICLOC	WICLOC	WICLOC	WICLOC	Tongue and Groove	WICLOC	WICLOC	Tongue and Groove	Tongue and Groove
FSC	No	No	Mixed Sources	Mixed Sources	100%	100%	100%	100%	100%	100%	100%

### Commercial reference

Classics Collection Walnut Nature	Plank	RW03154									
Classics Collection Walnut Nature	3 Strip		RW01199								
Classics Collection Merbau Nature	Plank	RW03153									
Classics Collection Merbau Nature	3 Strip		RW01198								
Classics Collection Oak Nature	Plank	RW03149									
Classics Collection Oak Nature	3 Strip		RW01196								
Classics Collection Oak Country Nordic	Plank	RW03151									
Classics Collection Iroko Nature	Plank	RW03155									
Classics Collection Jatoba Nature	Plank	RW03150									
Classics Collection Ash Country Nordic	Plank	RW03152									
Classics Collection Ash Country Nordic	3 Strip		RW01200								
Classics Collection Hevea Nature	3 Strip		RW01195								
Classics Collection Oak Country	3 Strip		RW01197								
Classics Collection Beech Nature steamed	3 Strip		RW01201								
Bamboo Collection Horizontal Natural	Bamboo			RW03137							
Bamboo Collection Horizontal Caramel	Bamboo			RW03138							
Bamboo Collection Strand Woven Natural	Bamboo				RW03139						
Bamboo Collection Strand Woven Caramel	Bamboo				RW03140						
Bamboo Collection Strand Woven Tiger Strip	Bamboo				RW03141						
Prestige Collection Manor House Oak Rustic	Plank					RW04206			RW04207		
Prestige Collection Manor House Oak Nature	Plank					RW04208			RW04209		
Prestige Collection Manor House Ash	Plank								RW04210		
Prestige Collection Castle Oak	Plank						RW04211			RW04212	
Prestige Collection Castle Ash	Plank									RW04213	
Prestige Collection Royal Oak	Plank							RW04215			RW04214
Prestige Collection Royal Ash	Plank										RW04216

# Parquet hardwood floors product selector

## 3 PLY

	Matt Varnish			Semi-Matt Varnish	Natural Oiled		White Oiled
Thickness (mm)	14,5/3,5	15/4	15/4	14,5/3,5	15/4	14/3	15/4
Dimension (mm)	1820x190	1830x189	2200x189	1820x145	1830x189	2200x189	1830x189
Bevelled	N/A	N/A	N/A	N/A	N/A	N/A	N/A
Installation	WICLOC	WICLOC	WICLOC	WICLOC	WICLOC	WICLOC	WICLOC
FSC	No	No	No	No	No	No	No

### Commercial reference

Style Collection Kentucky Denver	Plank		RW03148				
Style Collection Kentucky Kansas	Plank				RW04199		
Style Collection Kentucky Oklahoma	Plank				RW04200		
Style Collection Kentucky Dallas	Plank				RW04201		
Style Collection Kentucky Houston	Plank						RW04202
Style Collection Kentucky Memphis	Plank				RW04203		
Style Collection Kentucky Atlanta	Plank				RW04204		
Style Collection Kentucky New Orleans	Plank				RW04205		
Style Collection Kentucky Nashville	Plank					RW01202	
Style Collection Kentucky Louisville	Plank					RW01203	
Style Collection Boutique Oak	Fine-Line		RW03156				
Style Collection Boutique Maple	Fine-Line		RW03158				
Style Collection Boutique Oak Smoked	Fine-Line		RW03157				
Style Collection Boutique Merbau	Fine-Line	RW03159					
Style Collection Metropolitan Berlin	Plank			RW03142			
Style Collection Metropolitan New York	Plank			RW03143			
Style Collection Metropolitan Paris	Plank			RW03144			
Style Collection Metropolitan Tokyo	Plank			RW03145			
Style Collection Metropolitan Hong Kong	Plank			RW03146			
Style Collection Metropolitan Sydney	Plank			RW03147			

## 2 PLY

	Matt Varnish			Semi-Matt Varnish			Natural Oiled
Thickness (mm)	10	10	10	10	10	10	10
Dimension (mm)	750x90	1000x90	490x70	750x90	1000x90	490x70	490x70
Bevelled	N/A	N/A	N/A	N/A	N/A	N/A	N/A
Installation	Tongue and Groove	Tongue and Groove	Tongue and Groove	Tongue and Groove	Tongue and Groove	Tongue and Groove	Tongue and Groove
FSC	No	No	No	No	No	No	No

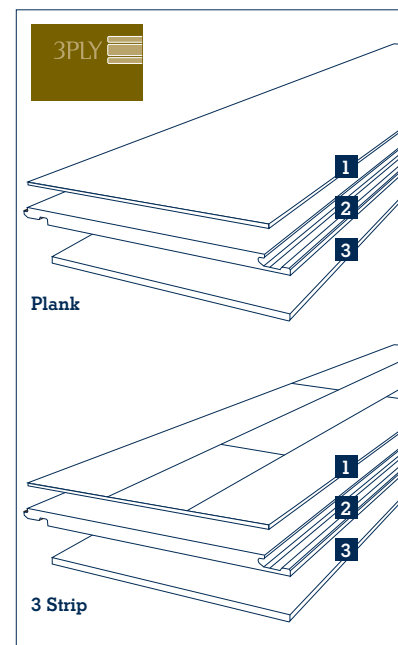
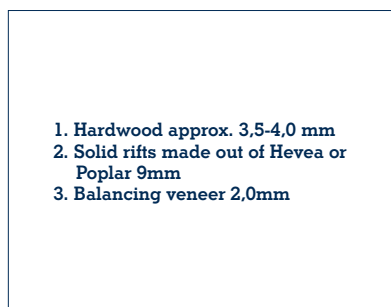
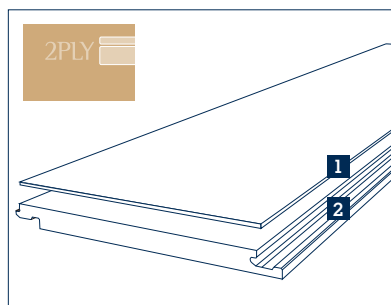
### Commercial reference

Module Collection Oak Nature	Plank			RW08051	RW08061	RW08060	
Module Collection Doussie Nature	Plank			RW08058	RW08065	RW08064	
Module Collection Iroko Nature	Plank			RW08059			
Module Collection Beech Nature	Plank			RW08053			
Module Collection Maple Nature	Plank			RW08055			
Module Collection Merbau Nature	Plank			RW08056	RW08063	RW08062	RW08057
Module Collection Doussie Rustic wenge stain	Plank	RW08050	RW08052				
Module Collection Oak Rustic smoke stain	Plank	RW08054	RW08066				
Module Collection Oak Rustic cognac stain	Plank	RW08068	RW08067				

# Floor construction

## FLOATING FLOOR

**Wicanders** engineered wood flooring constructions were developed having in mind the creation of a floor as nature friendly as possible. One of the key factors is the use of Hevea-wood ("rubber-wood") as a core-layer, giving stability to our floors and also allowing to profile the boards with the unique, glueless **WICLOC** installation system. Some collections are also available with traditional Tongue and Groove installation system. The Hevea-wood, growing primarily in Southeast Asia, used to be burned after the extraction of the rubber-latex. Nowadays, Hevea is used in **Wicanders Parquet** hardwood floors collection, and over 600 thousand hectares are replanted each year. **Wicanders** hardwood floors come with different hardwood face layers, each enhancing wood's natural beauty.



## WICLOC



High technology machinery is used in the production of **Wicanders** hardwood floors with **WICLOC** glueless locking system, providing you fast and easy installation, freeing you from complex assembly requirements, the use of adhesives and consequent unpleasant smells and extra time consumption.

## tongue&groove



The traditional Tongue and Groove installation requires the use of glue in the joint, although not interfering with the final look of perfect assembled floor.

# Technical Data Sheet

Collection		CLASSICS	BAMBOO	PRESTIGE	STYLE	MODULE
Construction		Plank 3 Strip 3 PLY - 3 Layer engineered parquet	Bamboo 3 PLY - 3 Layer engineered parquet	Plank 3 PLY - 3 Layer engineered parquet 2 sides bevelled	Plank Fine Line 3 PLY - 3 Layer engineered parquet	Plank 2 PLY - 2 Layer engineered parquet
Glueless WICLOC installation	Yes/No	Yes	Yes	Yes (Royal Tongue and Groove)	Yes	No
Manufactured according to standard	Norm	EN 13489:2002	EN 13489:2002	EN 13489:2002	EN 13489:2002	EN 13489:2002
Total thickness	mm	14,5	15	15 & 22	15, 14 & 14,5	10
Wear layer	mm	3,5	4	4 & 6	4, 3 & 3,5	4
Length x Width	mm	1820x145 1820x190	1900x189 1850x127	1830x189 2200x220 2200x260	1820x145 1820x190 1830x189 2200x189	490x70 750x90 1000x90
FSC certified		No	Mixed Sources	100%	No	No
Species (Hardness)	Brinell (N/mm <sup>2</sup> )	Hevea (3.2), Oak (3.8), Merbau (4.0), Walnut (2.6), Ash (3.2), Beech (3.4), Iroko (3.3), Jatoba (6.0)	Bamboo (3.4)	Oak (3.8) Ash (3.2)	Oak (3.8), Maple (4.0), Merbau (4.0)	Oak (3.8), Merbau (4.0), Beech (3.4), Iroko (3.3), Doussie (3.8), Maple (4.0)
Fire reaction (EN 13501-1)	Class	Dfl - s1	Dfl - s1	Cfl - s1 up to Efl - s1	Cfl - s1 up to Efl - s1	Dfl - s1
Heat resistance	m <sup>2</sup> K/W	0,10	0,12	15 mm: 0,115 22 mm: 0,165	15 mm: 0,115 14,5 mm: 0,10	0,07
Moisture content	%	7-9	7-9	7-9	7-9	7-9
Height difference between planks after installation	mm	< 0,20	< 0,20	< 0,20	< 0,20	< 0,20
Finish	Type	Matt varnish	Semi-Matt varnish	Natural Oiled White Oiled Unfinished	Matt varnish Semi-Matt varnish Natural Oiled White Oiled	Matt varnish Semi-Matt varnish Natural Oiled
Formaldehyde emission	Class (ppm)	E1 (≤ 0,1)	E1 (≤ 0,1)	E1 (≤ 0,1)	E1 (≤ 0,1)	E1 (≤ 0,1)



# AMORIM

Excellence in flooring



**NL/BE/LU/FR/GB** Amorim Benelux B.V., +31 166 604 111 ..... info.ar.nl@amorim.com

**DE** Amorim Deutschland GmbH, +49 4221 59 301 ..... germany.ar.de@amorim.com

**AT** Amorim Flooring Austria, +43 1 545 16 51 0 ..... austria.ar.de@amorim.com

**CH** Amorim Flooring (Switzerland) AG, +41 41 726 20 20 ..... info@amorim.ch

**PT** Amorim Revestimentos S.A., +351 22 747 5250 ..... aid.ar@amorim.com

**ES** Amorim Revestimentos, S.A., +34 902 307 407 ..... info.ar.es@amorim.com

**CN** Amorim Revestimentos - Beijing, +86 10 58672159 ..... amorimre@macau.ctm.net

**JP** Amorim Japan Corporation, +81 50 1184 5995 ..... otoiawase-ar@amorim.co.jp

**DK/FI/NO/SE** Amorim Flooring Nordic A/S, +45 44 681 900 ..... mail@amorim-flooring.dk

**PL** Dom Korkowy, Sp. z o.o., +48 12 637 9639 ..... krakow@domkorkowy.pl

**US/CA** Amorim Flooring North America, +1 410 553 6062 ..... info.ar.us@amorim.com

**Headquarters** Amorim Revestimentos, S.A., +351 22 747 5600 ..... geral.ar@amorim.com

**Others** Amorim Wood Supplies GmbH, +49 4221 689640 ..... contact@amorim-wood.de

[www.wicanders.com](http://www.wicanders.com)

