

HARDWOOD FLOORING COLLECTION

Premium
Plank Collection



Parquet hardwood floors

Nature walks with you


WICANDERS®



Parquet hardwood floors - Born from nature

From luxuriant and exotic forests, nature offers one of the most precious materials to design, with which we've created a unique collection of wood floorings. Throughout each stage of the manufacturing process, from selection to finishing, **Wicanders** creates the most advanced flooring solutions in harmony with nature.

Pursuing strict quality criteria and ecological specifications, **Wicanders** offers a range of wood floor collections with different and customised solutions suitable for a wide variety of ambiances.

In order to guarantee top-quality products, **Wicanders** works with certified factories on various continents, adopting a sourcing strategy that turns possible the use of specific technologies, suited to the distinct characteristics of each individual wood species. This strategy enables us to offer unique products, while contributing to the economic development of problematic regions. This process is monitored by an Amorim committee of experts who ensure compliance with **Wicanders** parameters.

Premium Plank is the deluxe collection of **Wicanders Parquet** hardwood floors. This outstanding collection sets the trend on the latest development in engineered Oak flooring, being made from 100% oak layers. This advanced floor construction provides you top quality and nobility of solid woods allied with the sturdiness of engineered floors.

Available in boards with 2200x260x20mm, with a 6mm top layer, this foremost 3 oak layers flooring has a traditional tongue and groove connection.

Premium plank collection is presented in a range of six unique products. Charming colors with distinctive features, such as brushing, smoking and hand scraping, these floors will highlight the character of any room.

Premium Plank Collection is fully available with 100% FSC certification, validating that these products are from well-managed forests, assuring **Wicanders' Parquet** compliance with the highest social and environmental standards on the market.







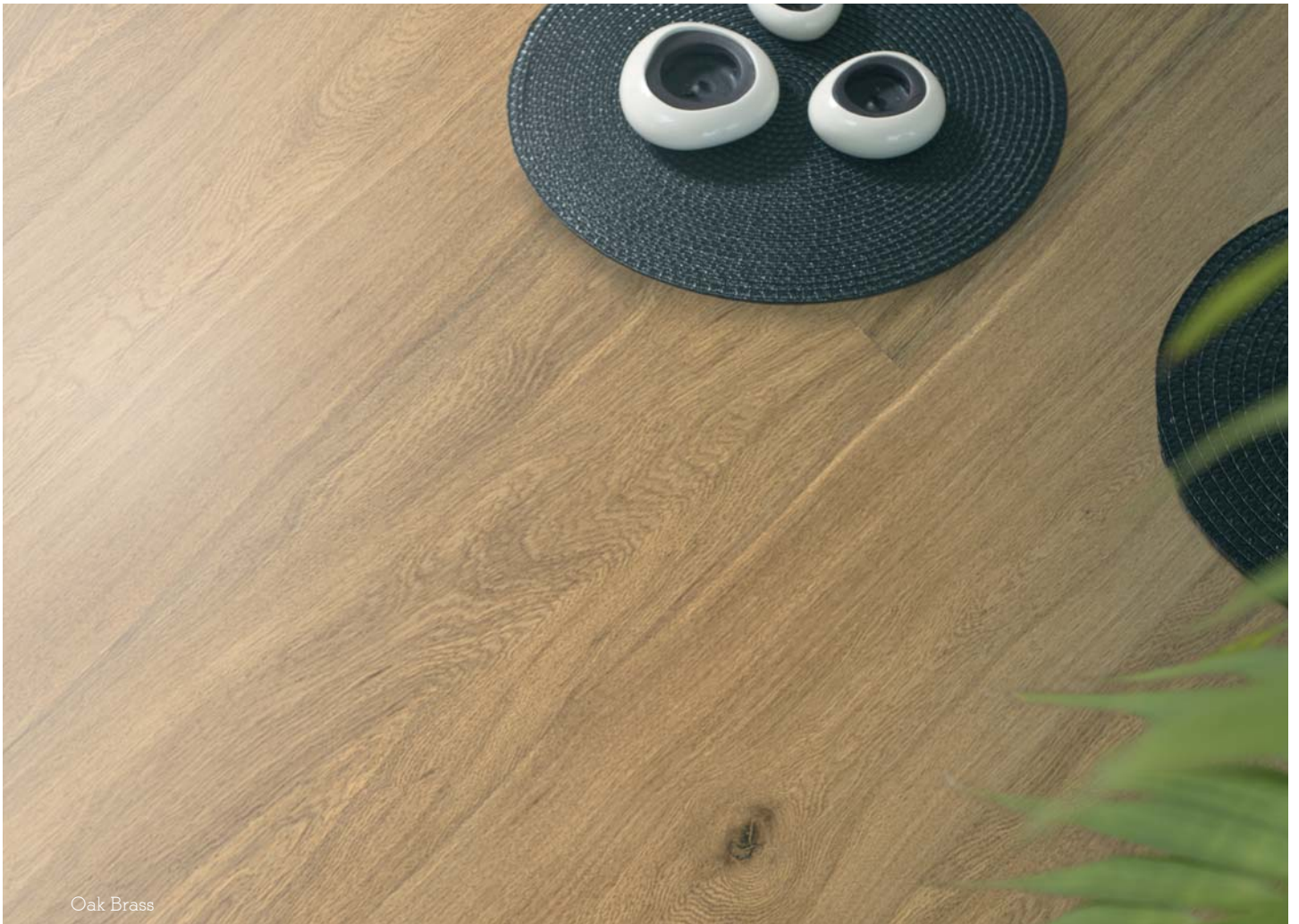
Oak Cocoa



Oak Prime



Oak Moonstone



Oak Brass



Oak Suede

Product selector

	3 PLY
	Oiled
Thickness (mm)	20
Wear Layer (mm)	6
Dimension (mm)	2200x260
Bevelled	2 sides Micro
Installation	Tongue and Groove
FSC	100%

Commercial reference

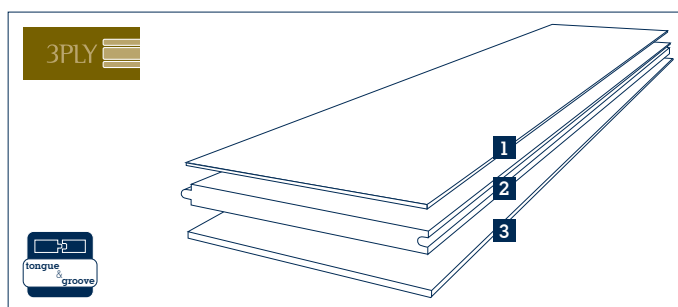
Premium Plank Collection Oak Prime	Plank	 RW04232
Premium Plank Collection Oak Brass	Plank	 RW04233
Premium Plank Collection Oak Moonstone	Plank	 RW04234
Premium Plank Collection Oak Suede	Plank	 RW04235
Premium Plank Collection Oak Coir	Plank	 RW04236
Premium Plank Collection Oak Cocoa	Plank	 RW04237

Floor construction

GLUE
DOWN
FLOOR

NAIL/SCREW
DOWN
FLOOR

Premium Plank, the deluxe collection of the **Wicanders Parquet**, is composed of 100% Oak layers. A thick Oak top layer of 6mm is united with two other robust Oak layers, to form boards with a total thickness of 20mm. This advanced floor construction provides you top quality and nobility of solid woods allied with the sturdiness of engineered floors.



1. Top layer 6mm Oak
2. Core layer 11mm Oak
3. Balancing veneer 3mm Oak

tongue&groove



These products, although with traditional Tongue and Groove connection, do not require the use of adhesives in the joint. The required glue, nail or screw down installation leads to a perfectly assembled floor.

Technical Data Sheet

Collection		PREMIUM PLANK
Construction		Plank 3 PLY - 3 layer engineered parquet 2 sides micro bevelled
Glueless WICLOC installation	Yes/No	No
Manufactured according to standard	Norm	EN 13489:2002
Total thickness	mm	20
Wear layer	mm	6
Length x Width	mm	2200x260
FSC certified		100%
Species (Hardness)	Brinell (N/mm ²)	Oak (38)
Fire resistance (EN 13501-1)	Class	Cfl - s1
Heat transmission resistance	m ² K/W	n/a
Moisture content	%	7 ± 2%
Height difference between planks after installation	mm	≤ 0,20
Finish	Type	Oiled
Formaldehyde emission	Class	E1



AMORIM

Excellence in flooring



NL/BE/LU/FR Amorim Benelux B.V., +31 166 604 111 info.ar.nl@amorim.com
DE Amorim Deutschland GmbH, +49 4221 59 301 germany.ar.de@amorim.com
AT Amorim Flooring Austria, +43 1 545 16 51 0 austria.ar.de@amorim.com
CH Amorim Flooring (Switzerland) AG, +41 41 726 20 20 . info@amorim.ch
PT Amorim Revestimentos S.A., +351 22 747 5250 aid.ar@amorim.com
ES Amorim Revestimentos, S.A., +34 902 307 407 info.ar.es@amorim.com

CN Amorim Revestimentos - Beijing, +86 10 58672159 amorimre@macau.ctm.net
JP Amorim Japan Corporation, +81 50 1184 5995 otoiawase-ar@amorim.co.jp
DK/FI/NO/SE Amorim Flooring Nordic A/S, +45 44 681 900 mail@amorim-flooring.dk
PL Dom Korkowy, Sp. z o.o., +48 12 637 9639 krakow@domkorkowy.pl
US/CA Amorim Flooring North America, +1 410 553 6062 info.ar.us@amorim.com
Headquarters Amorim Revestimentos, S.A., +351 22 747 5600 geral.ar@amorim.com
Others Amorim Wood Supplies GmbH, +49 4221 689640 contact@amorim-wood.de

www.wicanders.com

